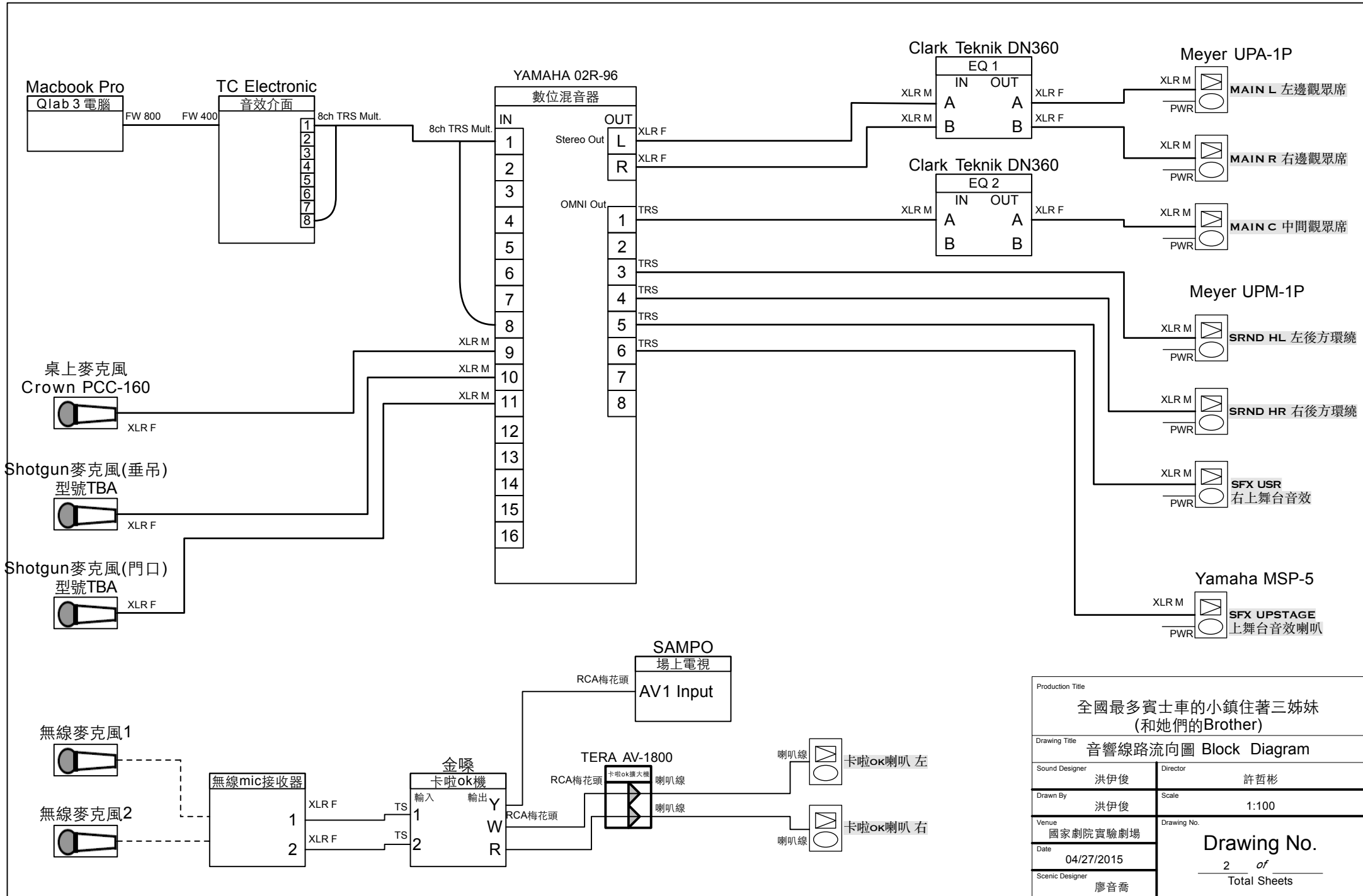


| | | | |
|------------------|------------|----------------------------------|-------------------------------------|
| Production Title | | 全國最多賓士車的小鎮住著三姊妹 (和她們的Brother) | |
| Drawing Title | | 音響配置圖 | |
| Sound Designer | 洪伊俊 | Director | 許哲彬 |
| Drawn By | 洪伊俊 | Scale | 1:100 |
| Venue | 國家劇院實驗劇場 | Drawing No. | Drawing No. 2 of Total Sheets |
| Date | 04/26/2015 | | |
| Scenic Designer | 廖音喬 | | |



| | |
|--|--|
| Production Title 全國最多賓士車的小鎮住著三姊妹 (和她們的Brother) | |
| Drawing Title 音響線路流向圖 Block Diagram | |
| Sound Designer 洪伊俊 | Director 許哲彬 |
| Drawn By 洪伊俊 | Scale 1:100 |
| Venue 國家劇院實驗劇場 | Drawing No. |
| Date 04/27/2015 | Drawing No. <u>2</u> of <u> </u> Total Sheets |
| Scenic Designer 廖音喬 | |